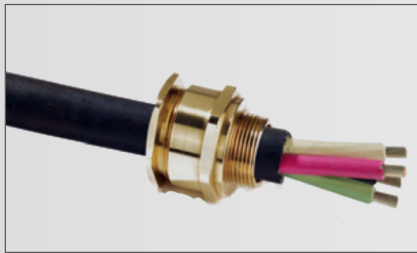


A2 CABLE GLAND

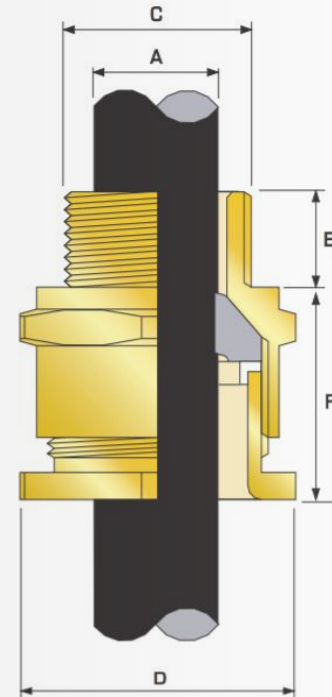


A2 Industrial Cable Gland

Novo Power A2 type brass indoor and outdoor cable gland for use with all types of Unarmoured cable, providing mechanical cable retention and an environmental seal on the cable outer sheath.

The Novo Power A2 range of industrial cable glands is designed and tested to BS 6121:Part 1:1989, meets or surpasses the requirements of EN 50262 :1999, and is produced from Brass, Other materials including Aluminium are also available in this standard design

TECHNICAL DATA	
Type	A2
Design Specification	BS 6121:Part 1:1989, EN 50262:1999
Official Certificate	HBRC
Continuous Operating Temperature	-60°C to +150°C
Ingress Protection Rating	IP66, IP67, IP68
Deluge Protection Compliance	DTS01 : 91
Standard Gland Material	Brass
Alternative Gland Material	Electroless Nickel Plated Brass, Stainless Steel, Aluminium
Cable Type	Unarmoured
Sealing Area(s)	Cable Outer Sheath
Optional Accessories	Adaptor/Reducer, Earth Tag, Entry Thread Seal, Locknut, Serrated Washer, Shroud



Cable Gland Selection Table

Cable Gland Size	Entry Thread "C"	Minimum Thread Length "E"	Cable Bedding Diameter "A"		Across Flats "D"	Across Corners "D"	Nominal Protrusion Length "F"	Part No.
			Min	Max	Max	Max	Max	
A1-A2-20S/16	M20	10	3.1	8.7	24	26.6	21	NPA2-20S/16
A1-A2-20S	M20	13	6.1	11	24	26.6	23	NPA2-20S
A1-A2-20L	M20	15.3	6.5	13	27	30	26	NPA2-20L
A1-A2-25S	M25	15.3	11.1	16	30	33	32.5	NPA2-25S
A1-A2-25L	M25	15	14	19	36	39.3	30	NPA2-25L
A1-A2-32	M32	15.3	17	23	40	44	31	NPA2-32
A1-A2-40	M40	20	23.5	31.5	50	55.4	29.5	NPA2-40
A1-A2-50S	M50	15	31	38	55	61	31	NPA2-50S
A1-A2-50L	M50	16	35.6	43	60	66.5	35.5	NPA2-50L
A1-A2-63S	M63	16	41.5	48	70	77.6	35	NPA2-63S
A1-A2-63L	M63	15.5	47.2	55.5	75	83.2	34	NPA2-63L
A1-A2-75S	M75	15	54	62	80	88.7	34	NPA2-75S
A1-A2-75L	M75	15	61.1	66.8	85	94.2	38	NPA2-75L
A1-A2-90	M90	15	66.6	79.4	108	120.7	44	NPA2-90
A1-A2-100	M100	15	76	91	123	137.8	48	NPA2-100