

Cable Clamp

Used in Fixing Cable Conductors

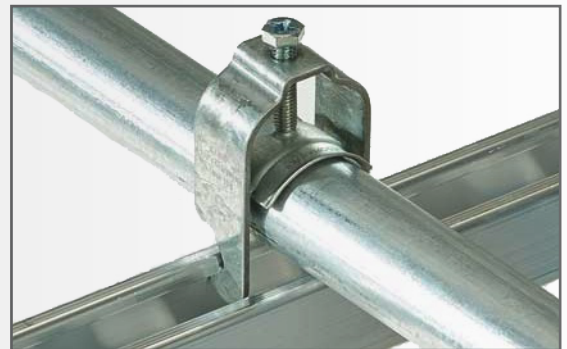
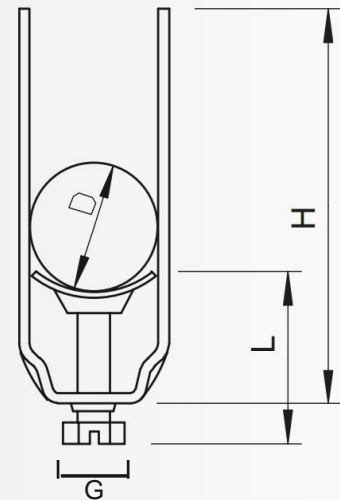
Material: Galvanized Steel / Stainless Steel

PRODUCT FEATURES

- Made of Galvanized steel or Stainless Steel
- Various Cable Dimensions.
- Support up to 5 Cable Runs
- No Need for Adapters or Drilling Holes
- Minimises Utilised Space on Towers, Reducing Wind Load
- Fast and Easy Assembly Secured With Wrench or Hex. Key
- For Use With 12.7 - 101.6 mm Outer Dia.
- Spring Washer Assure Correct and Constant Pressure on Cable and Prevent Over Tightening
- Clamp suitable for all C-Profile rails for Example:

41 x 41	20 x 8
41 x 20	25 x 10
14 x 7.5	25 x 12
24 x 10.5	35 x 18

And can be adjusted for any C-Profile



Cable Clamp Cat. No.	Cable Clamp Range "D" mm	Screw Diameter "G"	One Cable		Two Cable		Three Cable	
			H mm	L mm	H mm	L mm	H mm	L mm
PI - 12040	8 – 12	M6	40	40	52	40	70	50
PI - 16044	12 – 16	M6	44	40	61	40	82	50
PI - 22050	16 – 22	M6	50	40	73	50	101	50
PI - 28058	22 – 28	M6	58	40	87	50	121	50
PI - 34066	28 – 34	M8	66	40	101	45	142	60
PI - 40072	34 – 40	M8	72	40	114	45	162	60
PI - 46079	40 – 46	M8	79	40	129	45	184	60
PI - 52086	46 – 52	M8	86	40	142	45		
PI - 58093	52 – 58	M8	93	40	154	45		
PI - 64093	58 – 64	M8	99	40	167	45		
PI - 700106	64 – 70	M8	106	45				
PI - 760114	70 – 76	M8	114	45				
PI - 820121	76 – 82	M8	121	45				
PI - 900130	82 – 90	M8	130	60				
PI - 1000140	90 - 100	M8	140	60				

* Cable clamp sizes can be adjusted according to client requirement